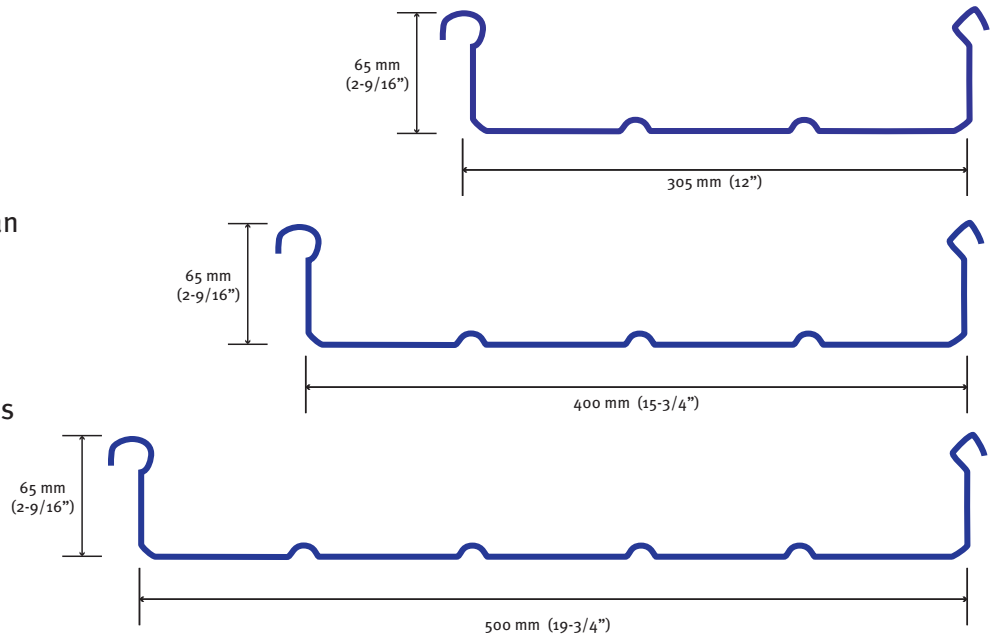


# The Panel N65 – High bearing capacity and less roof pitch

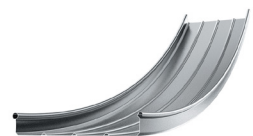
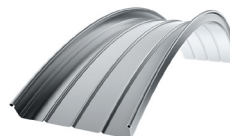
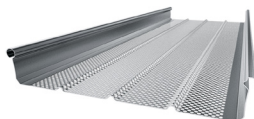
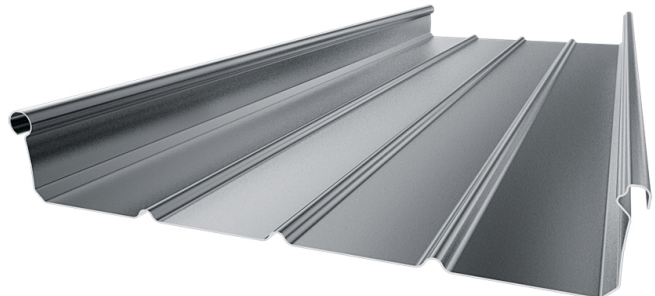
## Excellence in Manufacturing Technology

While the BEMO Mobile Mill Factories are transportable, they are light years beyond being “portable” roll formers. The German Engineered mills are comprised of state-of-the-art roll forming technology utilizing a minimum of twelve (12) rolling stations for the forming process. These 20 ton mills utilize an ocean going container as their platform for operation and would be equally at home on any manufacturing floor.



## Specifications

Panel width:	305 mm, 400 mm, 500 mm
Variable panels:	100 mm to 682 mm
Rib:	parallel to panel curvature, centered and straight
Capillary groove:	integrated into all panels



### Bemo USA Corporation

3062 N. Maple Street, Mesa, Arizona USA 85215-1115 | 480-545-7900

visit [www.bemo.com](http://www.bemo.com). For more information call or email at [techservices@bemousa.com](mailto:techservices@bemousa.com).