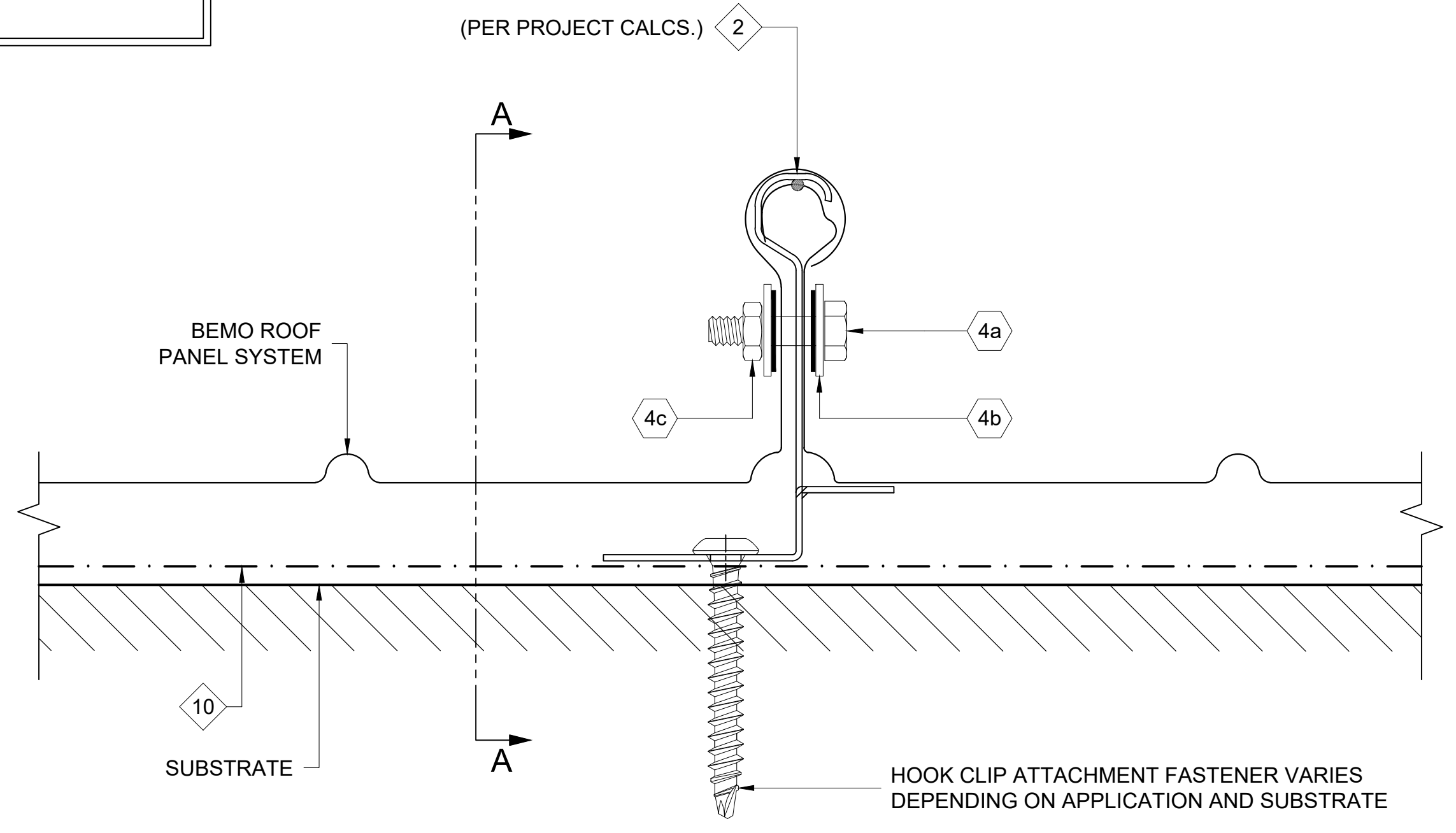
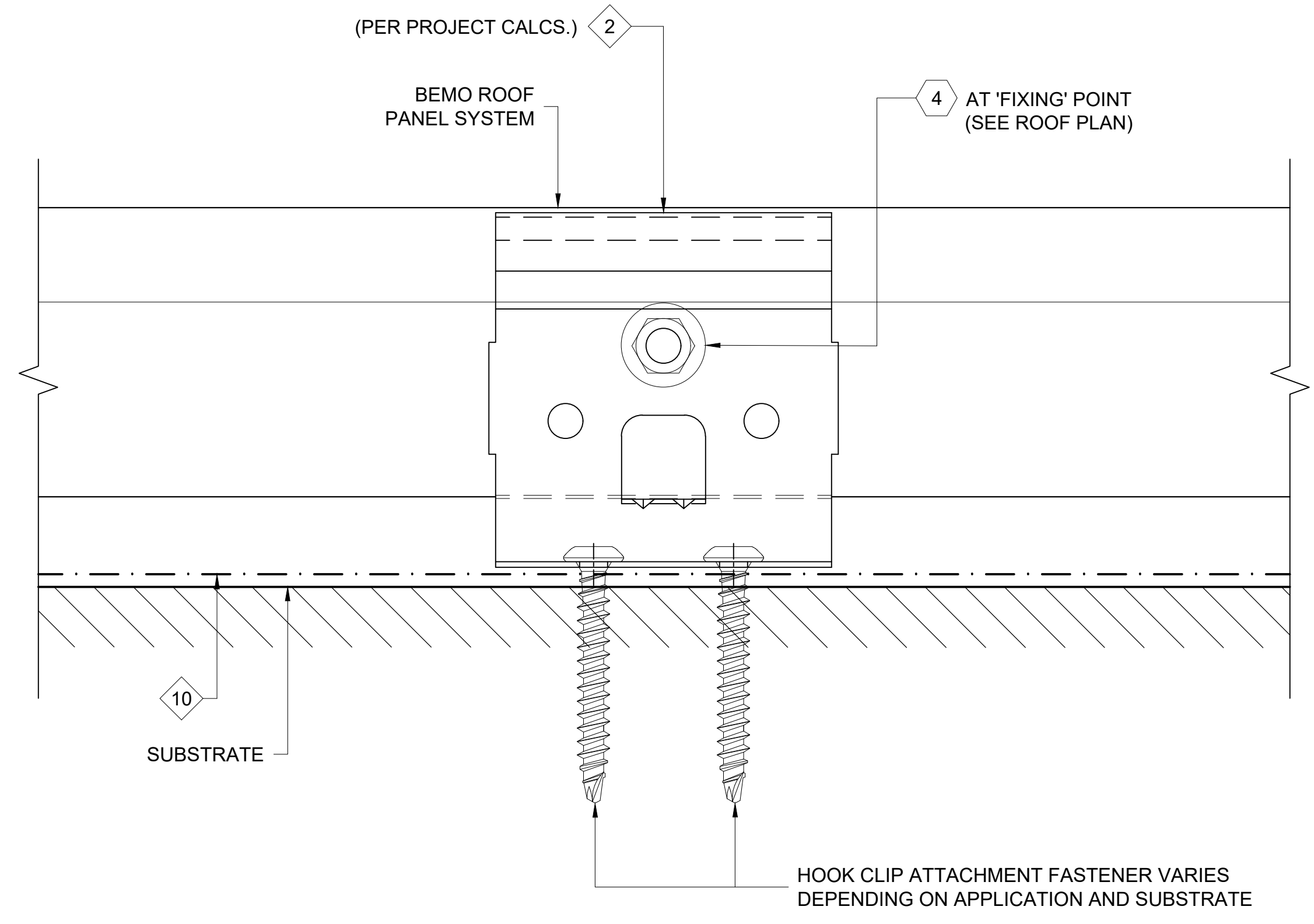


**NOTES:**

- BOLT LOCATION IS DETERMINED BY PRE-PUNCHED HOLE IN FIXED CLIP STEM; DRILL 1/4" DIA. HOLE IN MALE PANEL RIB AT PRE-PUNCHED HOLE IN CLIP AS PANELS ARE BEING INSTALLED.
- LOCATION OF 'FIXING' POINT TO BE SHOWN ON ROOF PLAN; CONSULT MANUFACTURER FOR LOCATION AND REQUIRED NUMBER OF ROWS OF 'FIXING' CLIPS.
- THIS DETAIL RELEVANT FOR UNINSULATED ROOFS ONLY.
- ALL FASTENERS MUST PENETRATE 3/4" MIN. THROUGH SUBSTRATE.



**1 BEMO PANEL 'FIXING' DETAIL; HOOK CLIP**  
D1 REF. ARCH. DET. -



**SECTION A-A**

THIS DETAIL IS GENERAL IN NATURE AND WILL BE MODIFIED TO MEET JOB SPECIFIC CONDITIONS

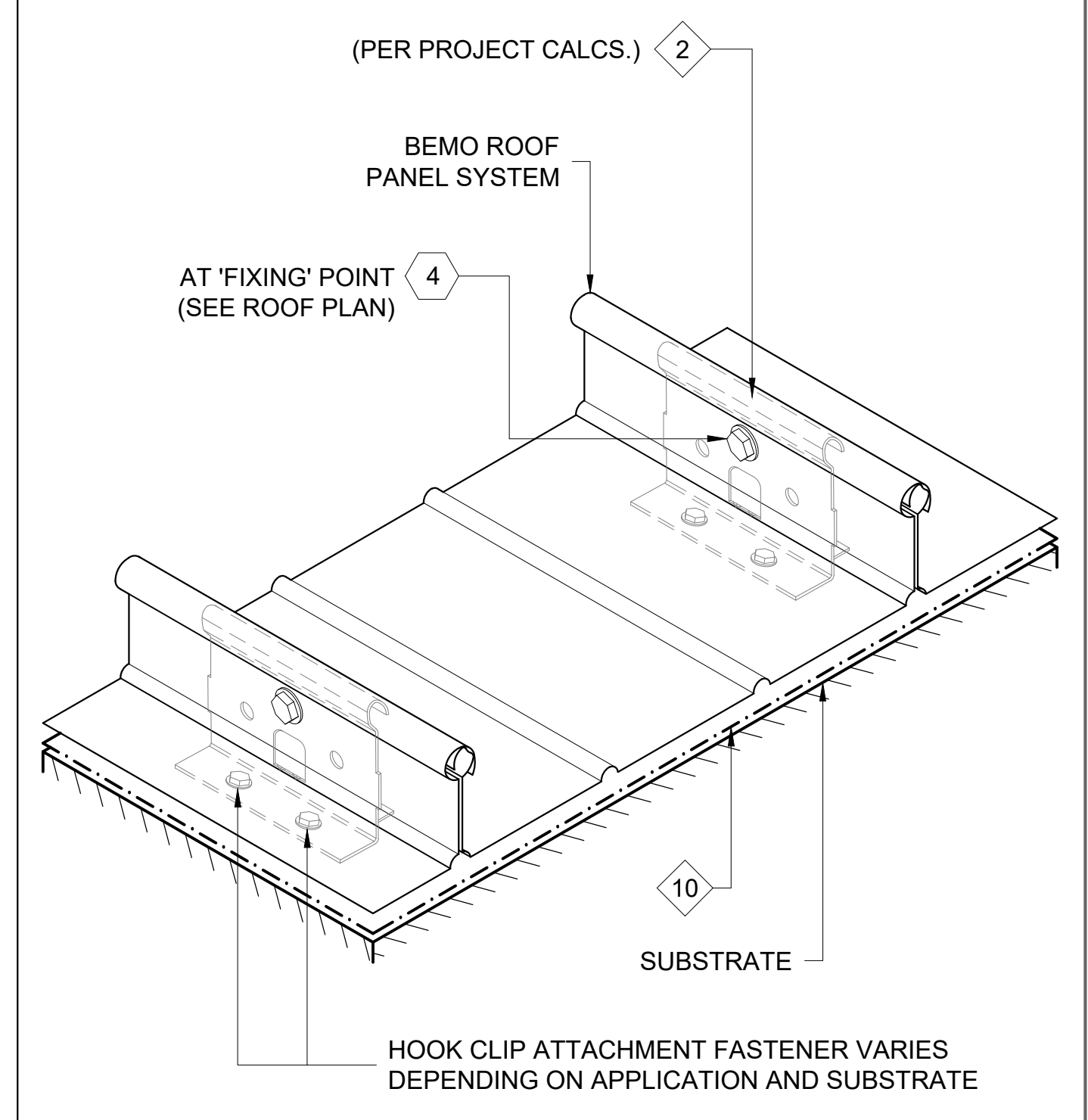
**FASTENER DESIGNATIONS**

MARK	DESCRIPTION	IMAGE
1	#14-10 x 7" DEKFAST SCREW (OR COMPARABLE)	
2	#14-10 x 2" DEKFAST SCREW (OR COMPARABLE)	
3	1/4"-14x 1 1/2" HWH TEK-3 (W/ BONDED WASHER)	
4	1/4"-20x 3/4" STAINLESS STEEL BOLT ASSEMBLY	
4a	1/4"-20x 3/4" HEX HEAD STAINLESS STEEL BOLT	
4b	3/4" COMB. STAINLESS STEEL AND SEALING WASHER	
4c	1/4"-20 STAINLESS STEEL LOCKING NUT	
5	1/4"-14x 7/8" HWH TEK-1 (W/ BONDED WASHER)	
6	#10x 3/4" PANCAKE HEAD SCREW	
7	1/4"Ø BULB-TITE RIVET (W/ BONDED WASHER)	
8	3/16"Ø CLOSED END S.S. RIVET	
9	#14-10x 1" SELF-TAPPING (W/ BONDED WASHER)	

\* (1000 HRS OF CORROSION RESISTANT COATING IN ACCORDANCE WITH ASTM B117)

**MATERIAL DESIGNATIONS**

MARK	DESCRIPTION
1	BEMO HOOK CLIP W/ GALV. BASE
2	BEMO FIXED HOOK CLIP
3	BEMO GABLE HALTER CLIP (30" O.C. MAX.)
4	BEMO METAL/FOAM PROFILE CLOSURE
5	KEYHOLE CLOSURE
6	EXPANDING FOAM TAPE (18 L.F. ROLLS)
7	"GRIP-STRUT" WALKWAY PLANK, 11 7/8" W x 12'-0" LG (2 PLANK WALKWAY)
8	BEMO 300-H OR 300-V STAINLESS STEEL UTILITY CLAMP
9	1/8"x 1" WIDE SEALING TAPE (65 L.F. ROLLS) - (BY OTHERS)
10	BEMO "40 MIL HT MEMBRANE" (3'x 65' ROLLS)
11	"APPROVED" SEALANT (15 L.F. COVERAGE - TUBES) - (BY OTHERS)
12	4"x 6" BEARING PLATE (AT EACH CLIP)



**ISOMETRIC VIEW**

[NOTE: ISOMETRIC VIEW IS FOR VISUALIZATION ONLY - OBJECTS NOT TO SCALE]



BEMO STANDARD DETAILS  
PANEL 'FIXING' DETAIL (HOOK CLIP AT UNINSULATED ROOF)

PROJECT ADDRESS

CUSTOMER NAME

ARCHITECT NAME

DRAWN:	D. GOSS	1/25/21
CHECKED:		
PROJECT NUMBER:		
NO.	REVISION / ISSUE	DATE

DWG TITLE  
**BEMO STANDARD DETAIL**

SCALE 1' = 1'-0"	DWG NO. <b>D1</b>
REV	