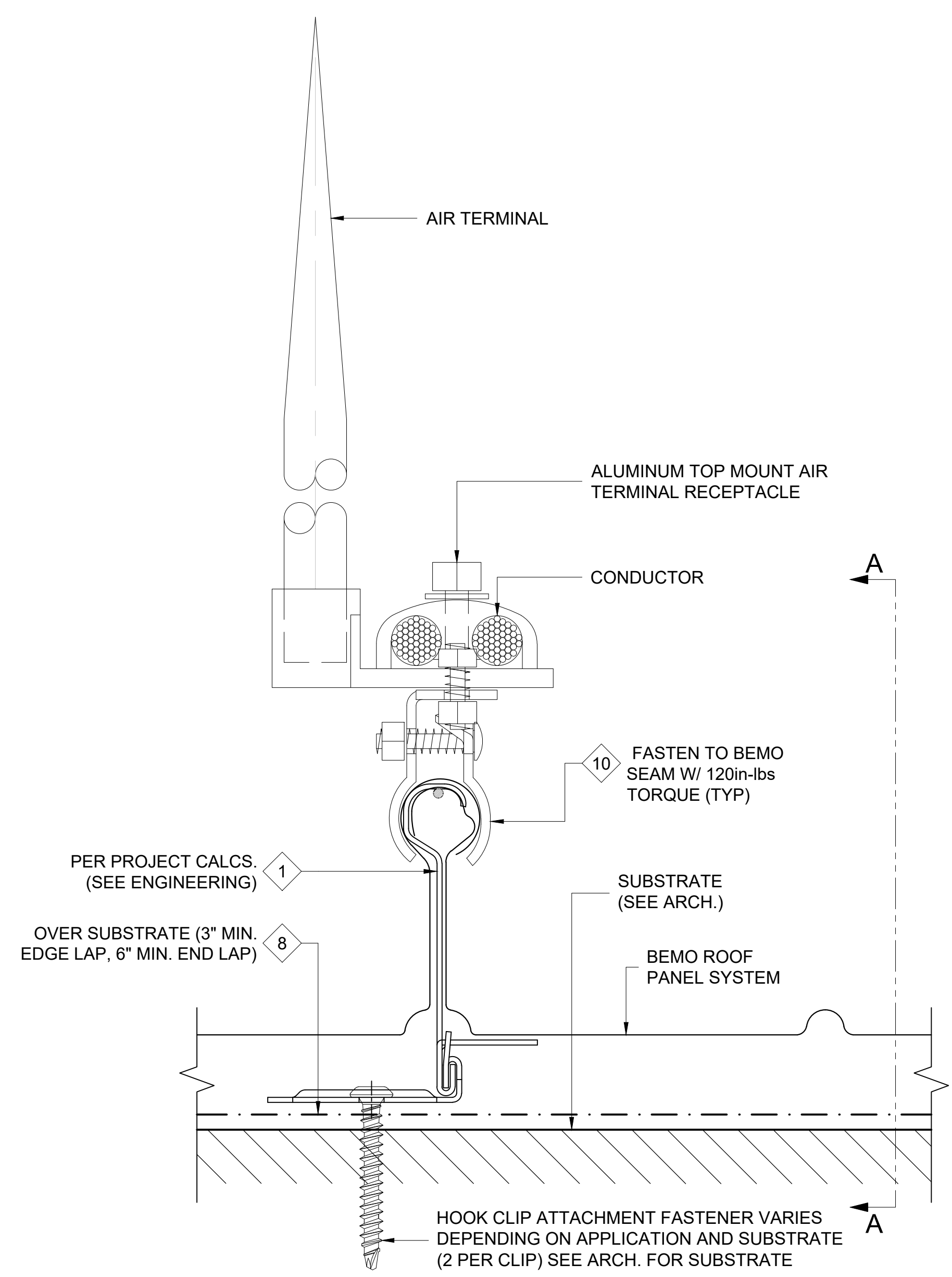
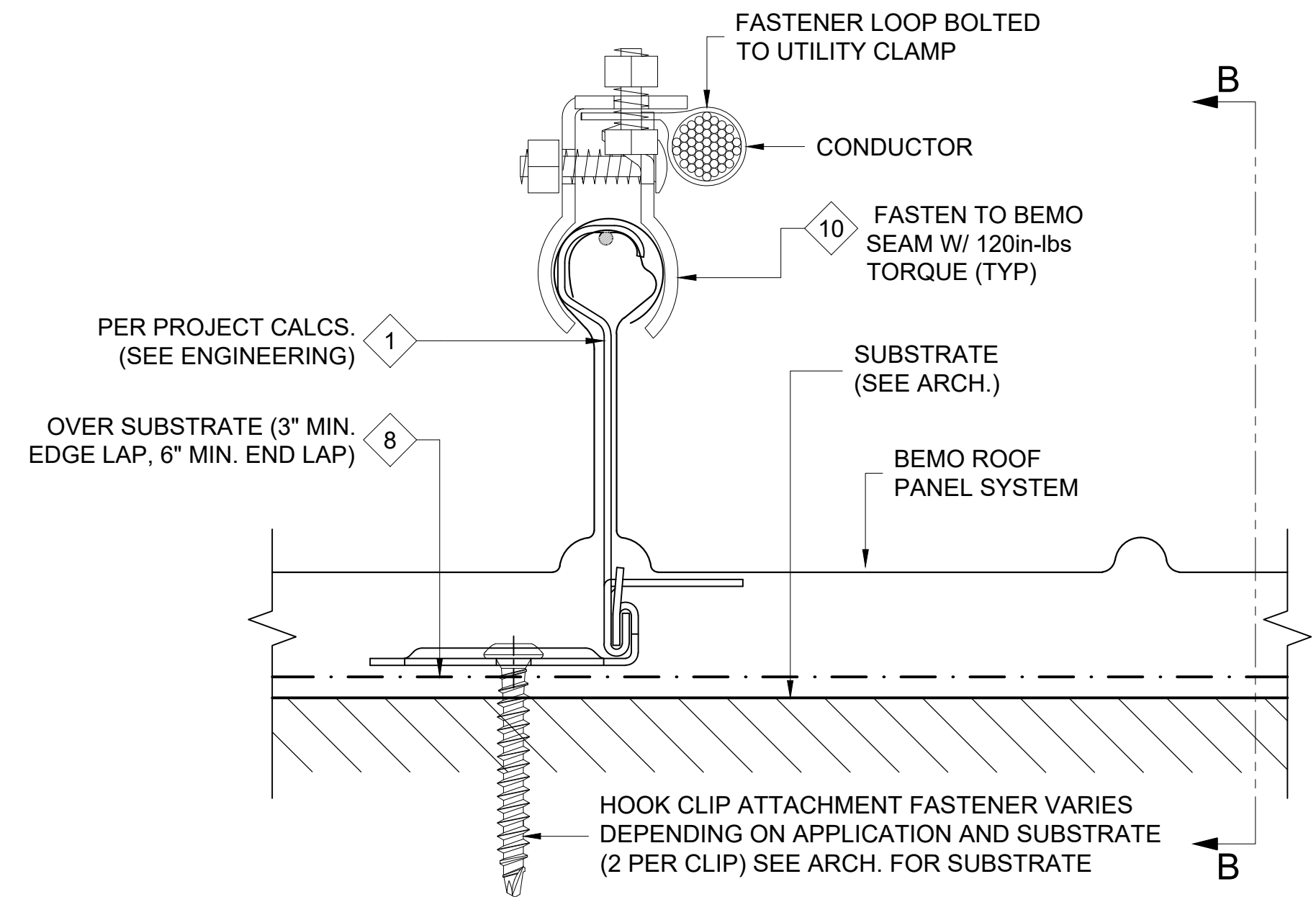


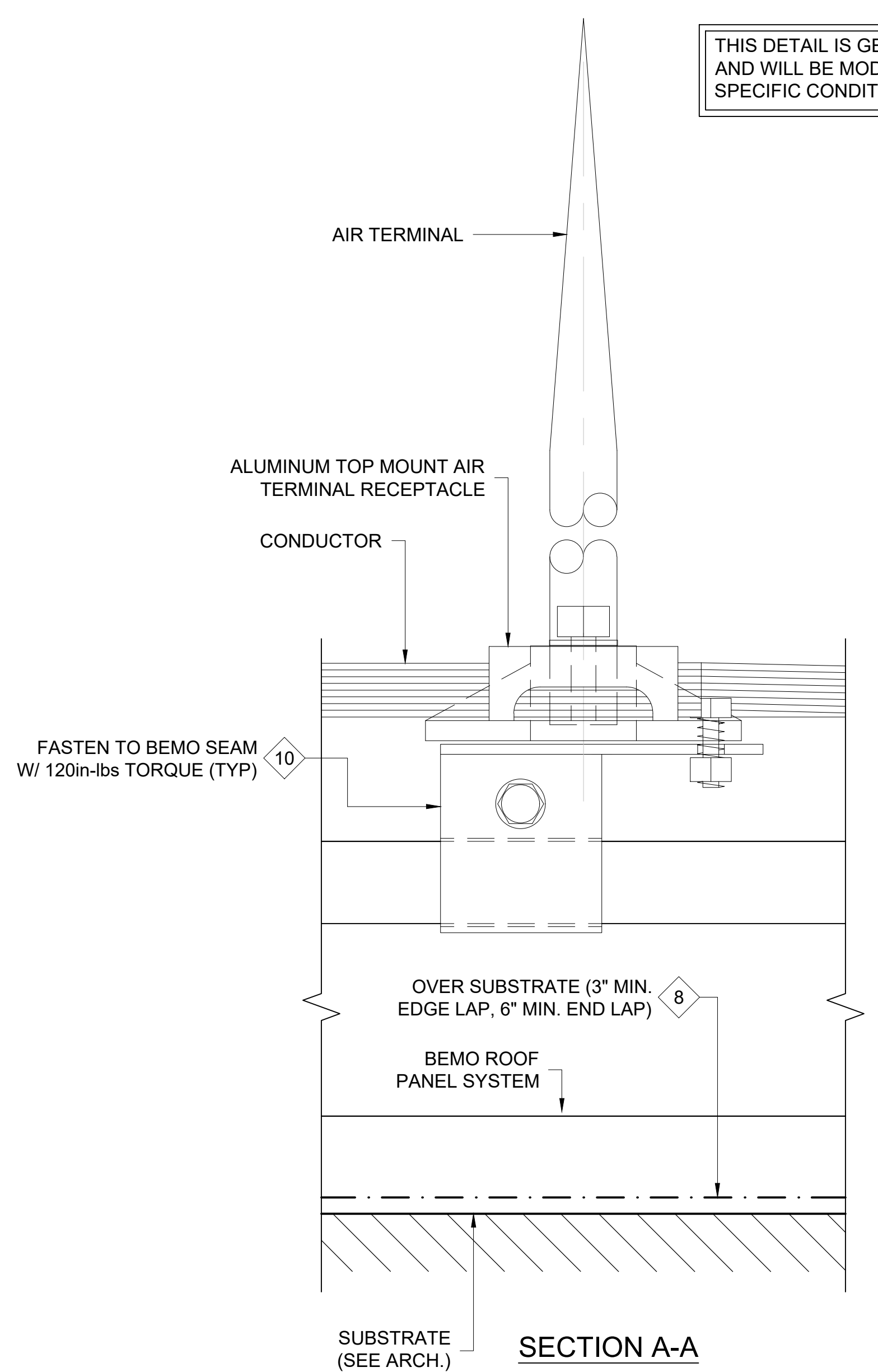
THIS DETAIL IS GENERAL IN NATURE AND WILL BE MODIFIED TO MEET JOB SPECIFIC CONDITIONS



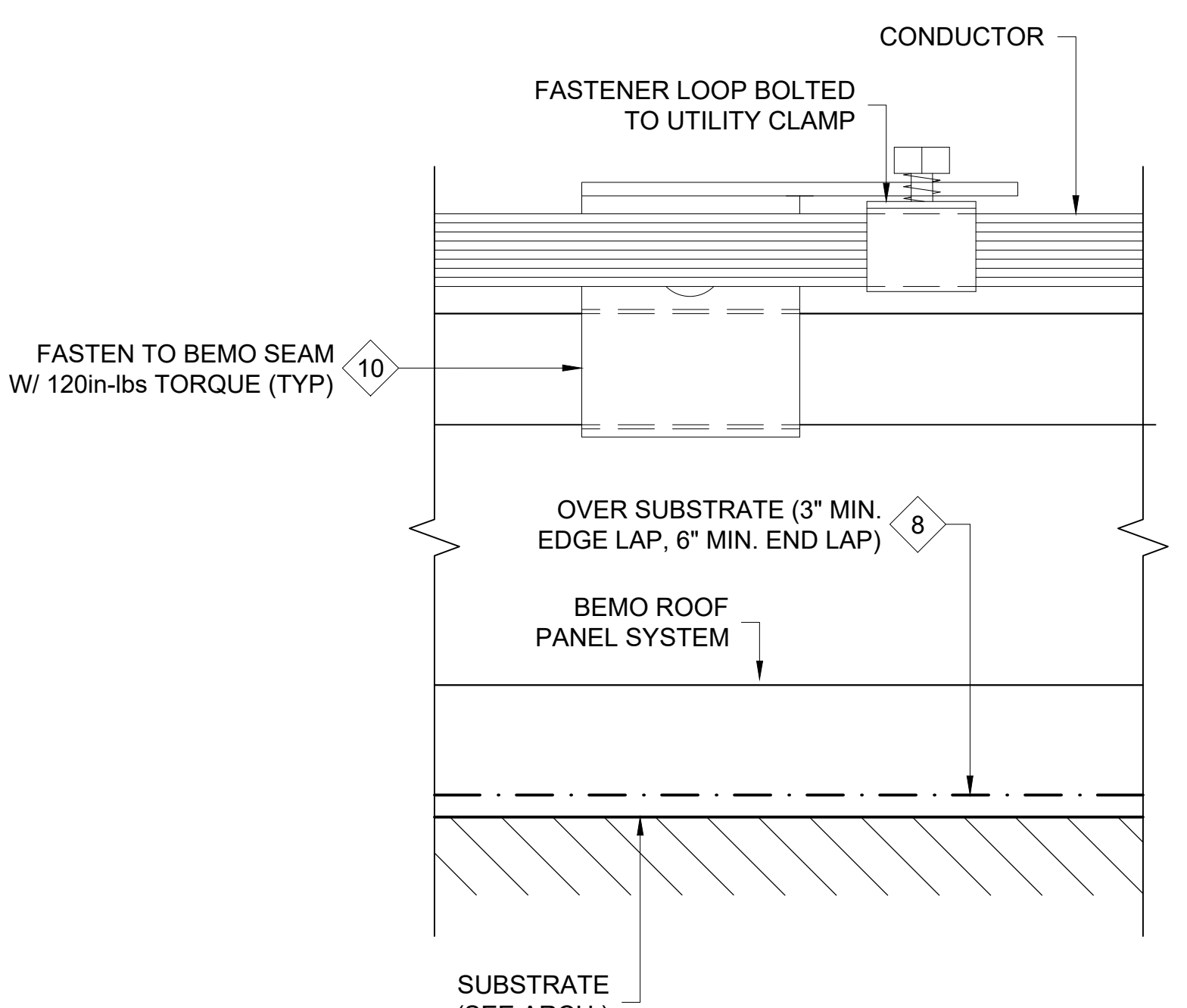
1 LIGHTNING PROTECTION ATTACHMENT DETAIL
D1 REF. ARCH. DET. -



2 LIGHTNING PROTECTION CABLING CONNECTION DETAIL
D1 REF. ARCH. DET. -



SECTION A-A



SECTION B-B

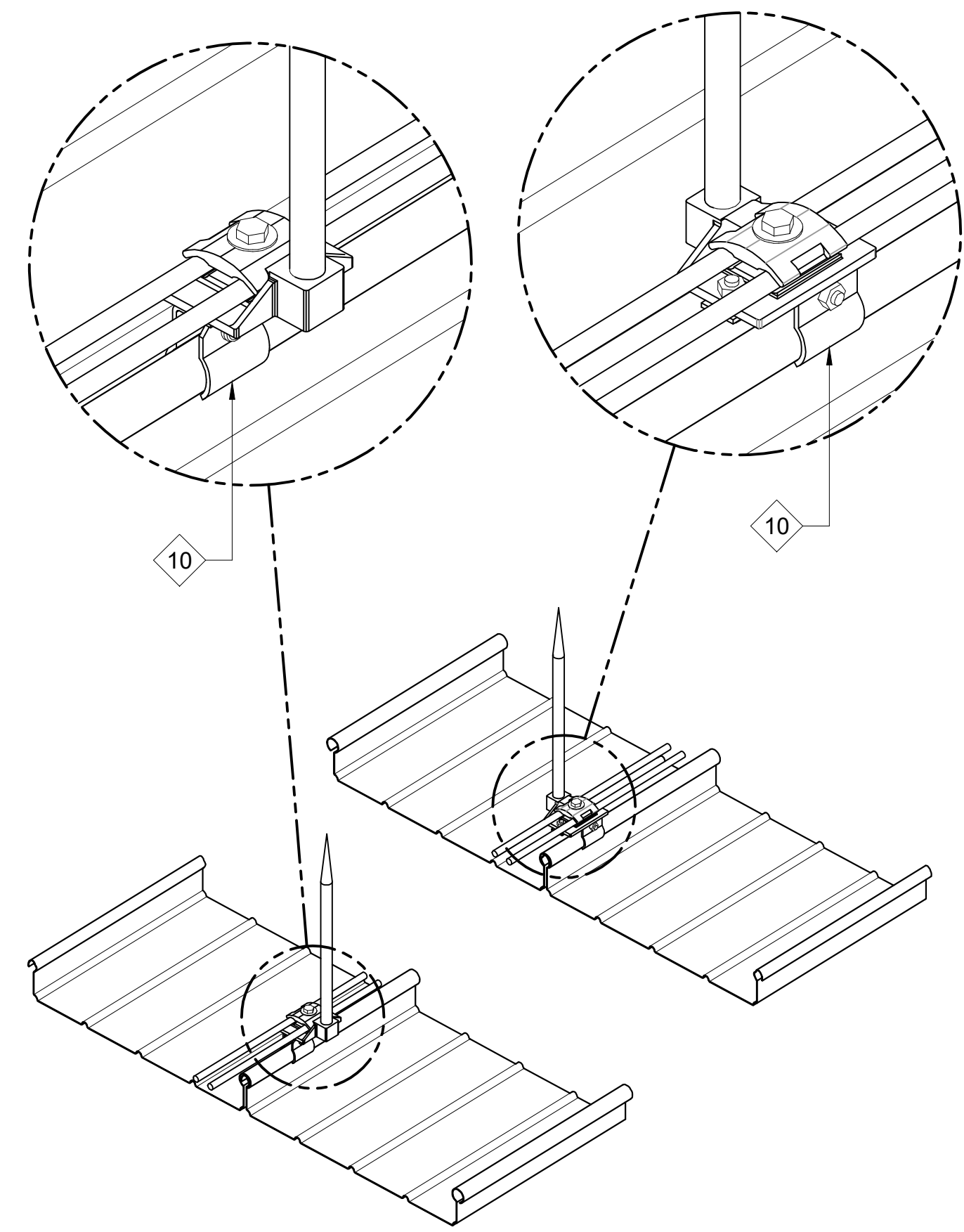
FASTENER DESIGNATIONS

MARK	DESCRIPTION	IMAGE
1	#14-10 x 7" DEKFAST SCREW (OR COMPARABLE)	
2	#14-10 x 2" DEKFAST SCREW (OR COMPARABLE)	
3	1/4"-14x 1 1/2" HWH TEK-3 (W/ BONDED WASHER)	
4	1/4"-20x 3/4" STAINLESS STEEL BOLT ASSEMBLY	
5	1/4"-14x 7/8" HWH TEK-1 (W/ BONDED WASHER)	
6	#10x 3/4" PANCAKE HEAD SCREW	
7	1/4"Ø BULB-TITE RIVET (W/ BONDED WASHER)	
8	3/16"Ø CLOSED END S.S. RIVET	
9	#14-10x 1" SELF-TAPPING (W/ BONDED WASHER)	
10	1/4"-14x 1" TEK-3 STAINLESS STEEL SCREW*	
11	#12-14x 1 1/2" TEK-3 STAINLESS STEEL SCREW*	
12	1/4"-14x 3" PANCAKE HEAD 316SS TYPE "B" FASTENER	

* (1000 HRS OF CORROSION RESISTANT COATING IN ACCORDANCE WITH ASTM B117)

MATERIAL DESIGNATIONS

MARK	DESCRIPTION
1	BEMO HOOK CLIP W/ GALV. BASE
2	BEMO FIXED HOOK CLIP
3	BEMO GABLE HALTER CLIP (30" O.C. MAX.)
4	BEMO METAL/FOAM PROFILE CLOSURE
5	KEYHOLE CLOSURE
6	EXPANDING FOAM TAPE (18 L.F. ROLLS)
7	1/8"x 1" WIDE SEALING TAPE (65 L.F. ROLLS) - (BY OTHERS)
8	BEMO "40 MIL HT MEMBRANE" (3'x 65' ROLLS)
9	"APPROVED" SEALANT (15 L.F. COVERAGE - TUBES) - (BY OTHERS)
10	BEMO 300-H OR 300-V STAINLESS STEEL UTILITY CLAMP



ISOMETRIC VIEW

[NOTE: ISOMETRIC VIEW IS FOR VISUALIZATION ONLY - OBJECTS NOT TO SCALE]



BEMO USA STANDARD DETAILS	PROJECT ADDRESS
	CUSTOMER NAME
	ARCHITECT NAME

DRAWN:	
CHECKED:	
PROJECT NUMBER:	
NO.	REVISION / ISSUE
	DATE

DWG TITLE
DETAILS

SCALE
1' = 1'-0"

DWG NO.
D1