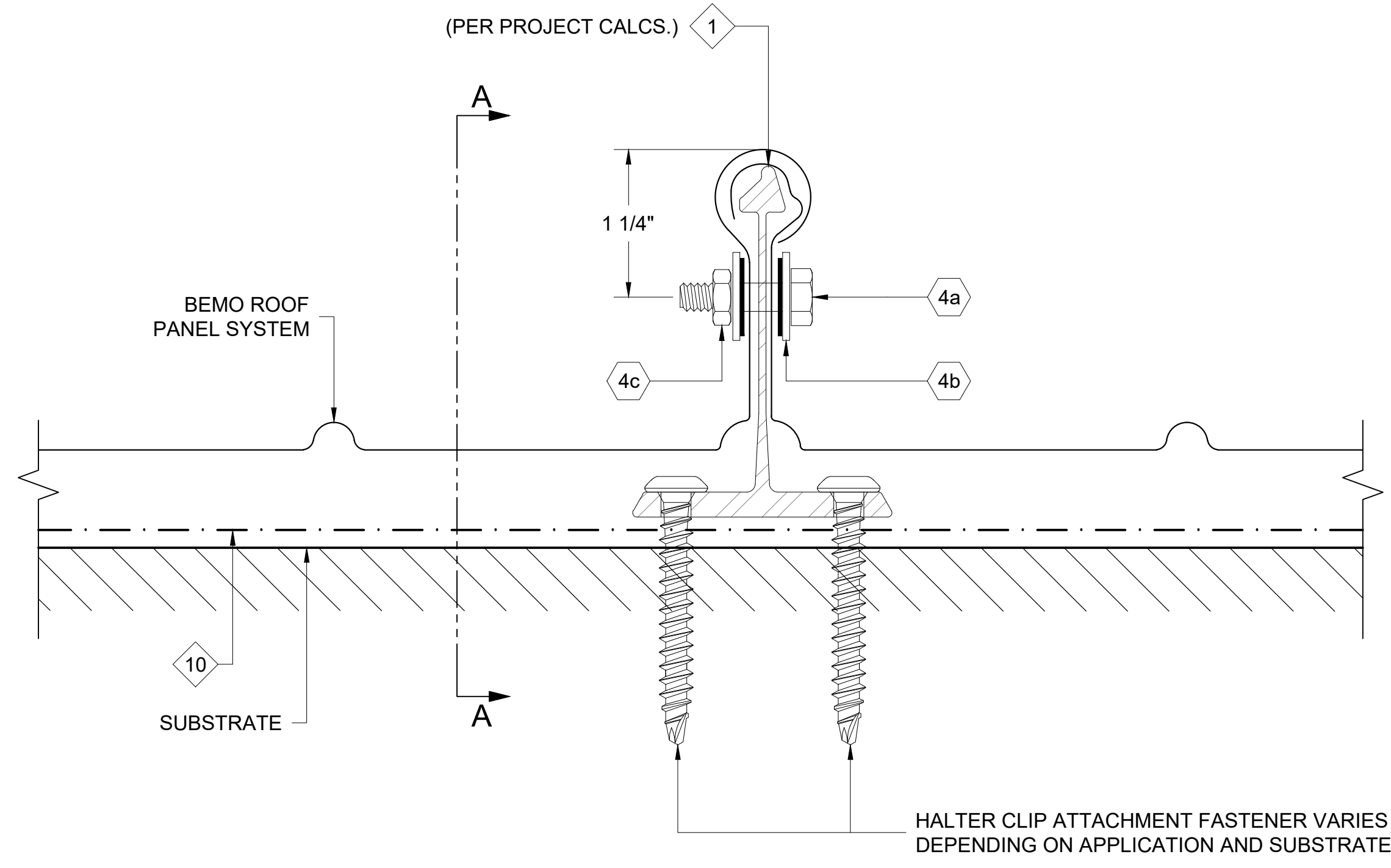
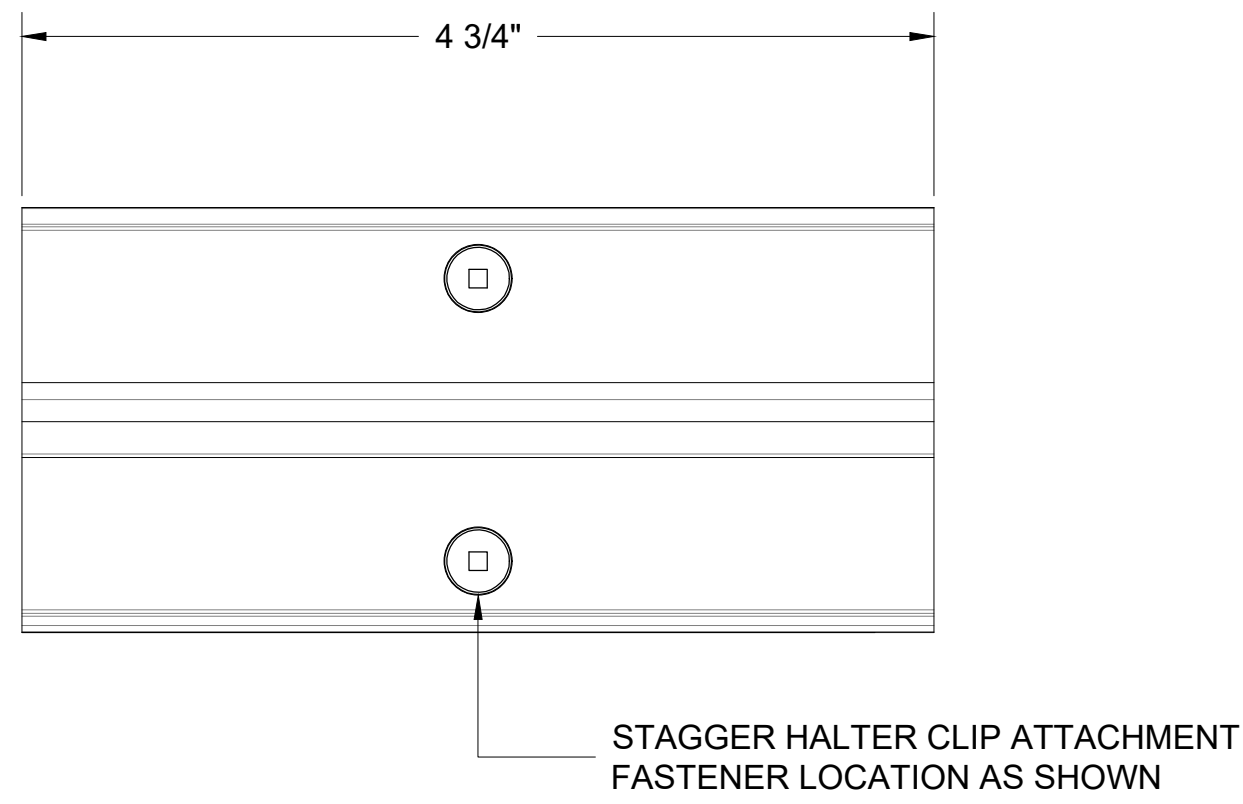


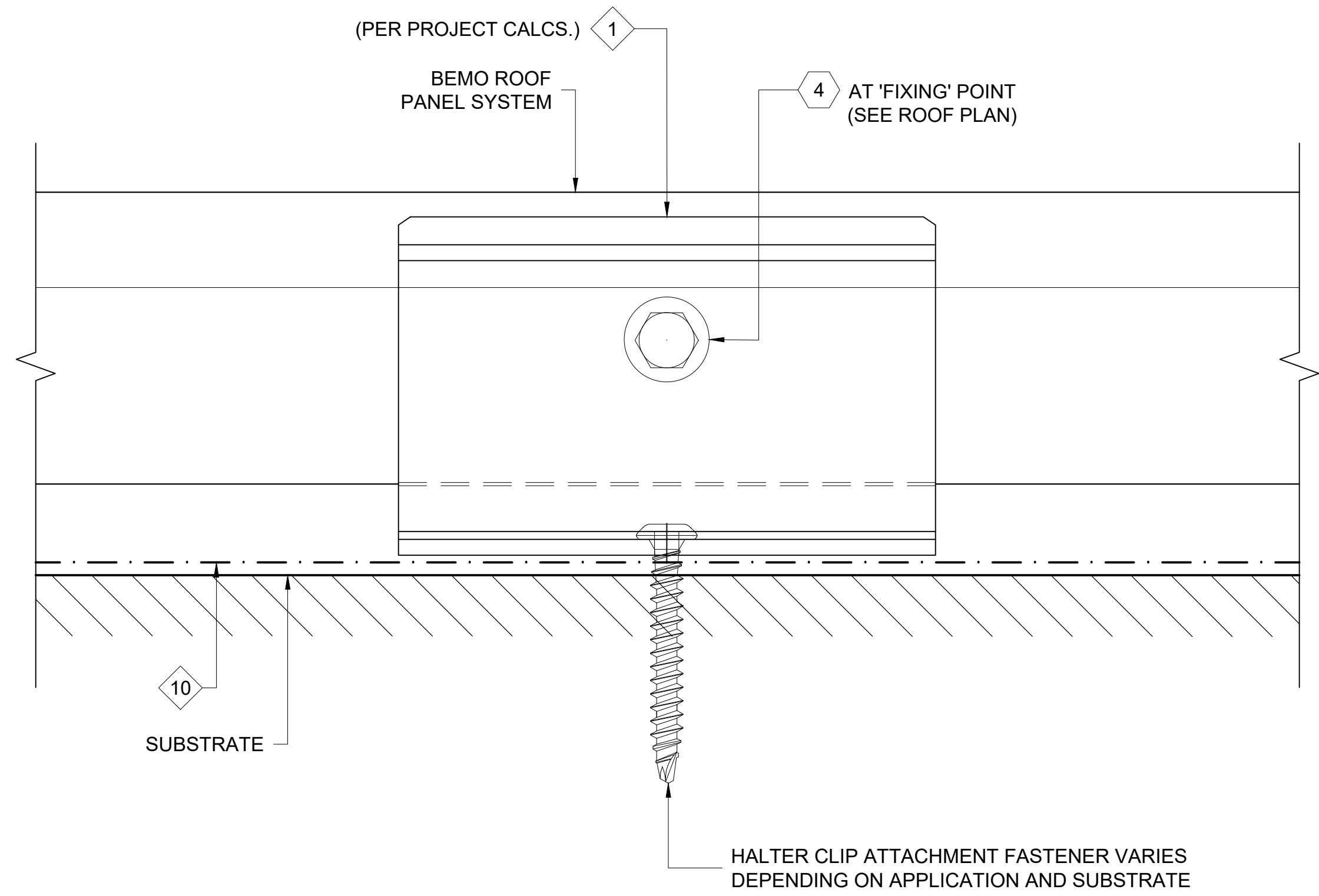
NOTES:
 1. ATTACH BOLT AS HIGH ON THE PANEL RIB STEM AS POSSIBLE.
 2. LOCATION OF 'FIXING' POINT TO BE SHOWN ON ROOF PLAN;
 CONSULT MANUFACTURER FOR LOCATION AND REQUIRED
 NUMBER OF ROWS OF 'FIXING' HALTERS.
 3. THIS DETAIL RELEVANT FOR UNINSULATED ROOFS ONLY.
 4. ALL FASTENERS MUST PENETRATE 3/4" MIN. THROUGH
 SUBSTRATE.



1 BEMO PANEL 'FIXING' DETAIL; HALTER CLIP
 D1 REF. ARCH. DET. -



STAGGER HALTER CLIP ATTACHMENT
 FASTENER LOCATION AS SHOWN



SECTION A-A

THIS DETAIL IS GENERAL IN NATURE
 AND WILL BE MODIFIED TO MEET JOB
 SPECIFIC CONDITIONS

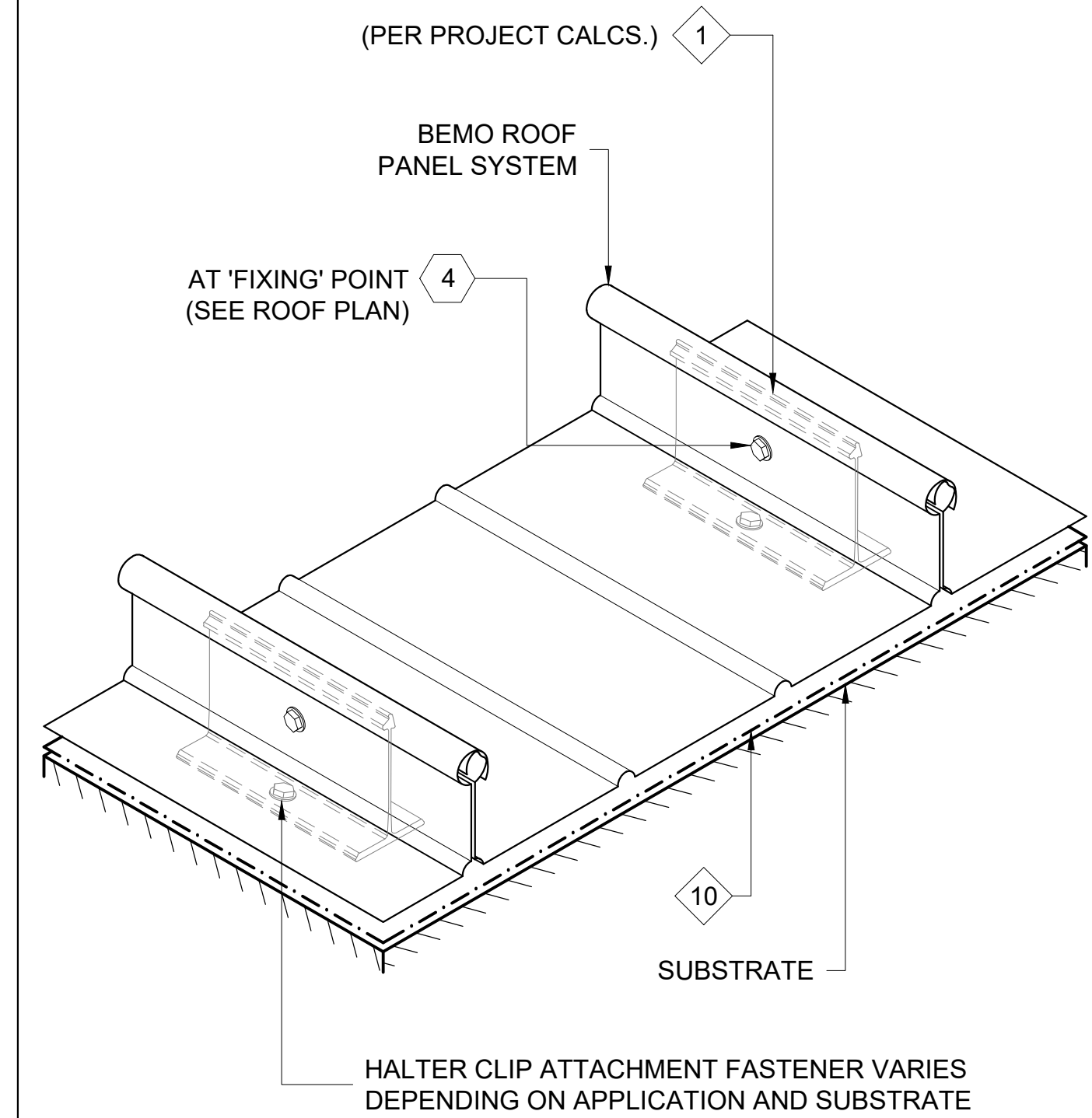
FASTENER DESIGNATIONS

MARK	DESCRIPTION	IMAGE
1	#14-10 x 7" DEKFAST SCREW (OR COMPARABLE)	
2	#14-10 x 2" DEKFAST SCREW (OR COMPARABLE)	
3	1/4"-14x 1 1/2" HWH TEK-3 (W/ BONDED WASHER)	
4	1/4"-20x 3/4" STAINLESS STEEL BOLT ASSEMBLY	
4a	1/4"-20x 3/4" HEX HEAD STAINLESS STEEL BOLT	
4b	3/4" COMB. STAINLESS STEEL AND SEALING WASHER	
4c	1/4"-20 STAINLESS STEEL LOCKING NUT	
5	1/4"-14x 7/8" HWH TEK-1 (W/ BONDED WASHER)	
6	#10x 3/4" PANCAKE HEAD SCREW	
7	1/4"Ø BULB-TITE RIVET (W/ BONDED WASHER)	
8	3/16"Ø CLOSED END S.S. RIVET	
9	#14-10x 1" SELF-TAPPING (W/ BONDED WASHER)	

* (1000 HRS OF CORROSION RESISTANT COATING IN ACCORDANCE WITH ASTM B117)

MATERIAL DESIGNATIONS

MARK	DESCRIPTION
1	BEMO HOOK CLIP W/ GALV. BASE
2	BEMO FIXED HOOK CLIP
3	BEMO GABLE HALTER CLIP (30" O.C. MAX.)
4	BEMO METAL/FOAM PROFILE CLOSURE
5	KEYHOLE CLOSURE
6	EXPANDING FOAM TAPE (18 L.F. ROLLS)
7	"GRIP-STRUT" WALKWAY PLANK, 11 7/8" W x 12'-0" LG (2 PLANK WALKWAY)
8	BEMO 300-H OR 300-V STAINLESS STEEL UTILITY CLAMP
9	1/8"x 1" WIDE SEALING TAPE (65 L.F. ROLLS) - (BY OTHERS)
10	BEMO "40 MIL HT MEMBRANE" (3'x 65' ROLLS)
11	"APPROVED" SEALANT (15 L.F. COVERAGE - TUBES) - (BY OTHERS)
12	4"x 6" BEARING PLATE (AT EACH CLIP)



ISOMETRIC VIEW

[NOTE: ISOMETRIC VIEW IS FOR VISUALIZATION ONLY - OBJECTS NOT TO SCALE]



BEMO STANDARD DETAILS
 PANEL 'FIXING' DETAIL (HALTER CLIP AT UNINSULATED ROOF)

PROJECT ADDRESS
 CUSTOMER NAME
 ARCHITECT NAME

DRAWN:	D. GOSS	1/25/21
CHECKED:		
PROJECT NUMBER:		
NO.	REVISION / ISSUE	DATE

DWG TITLE
BEMO STANDARD DETAIL

SCALE
 1' = 1'-0"
 REV

DWG NO.
D1