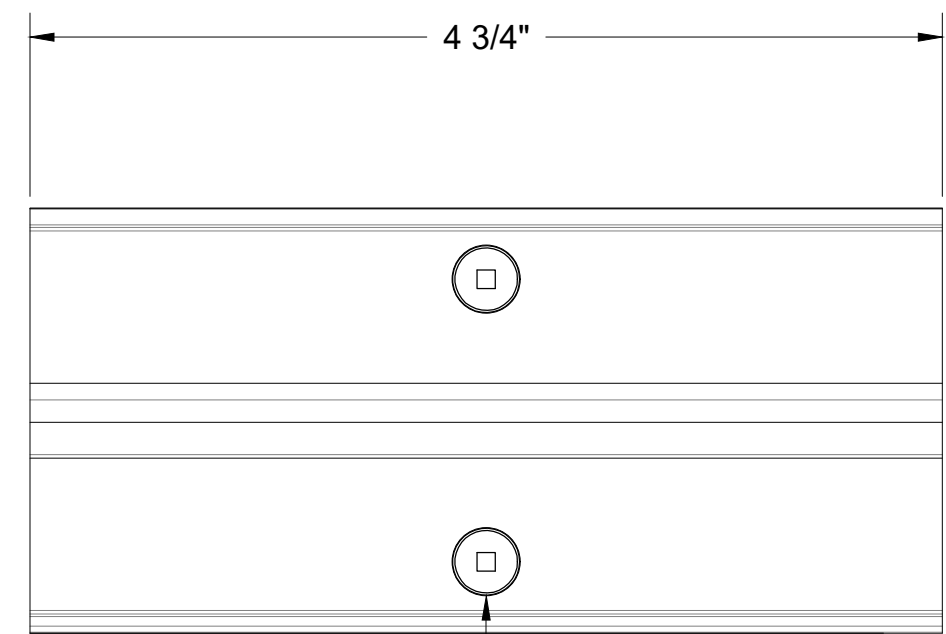


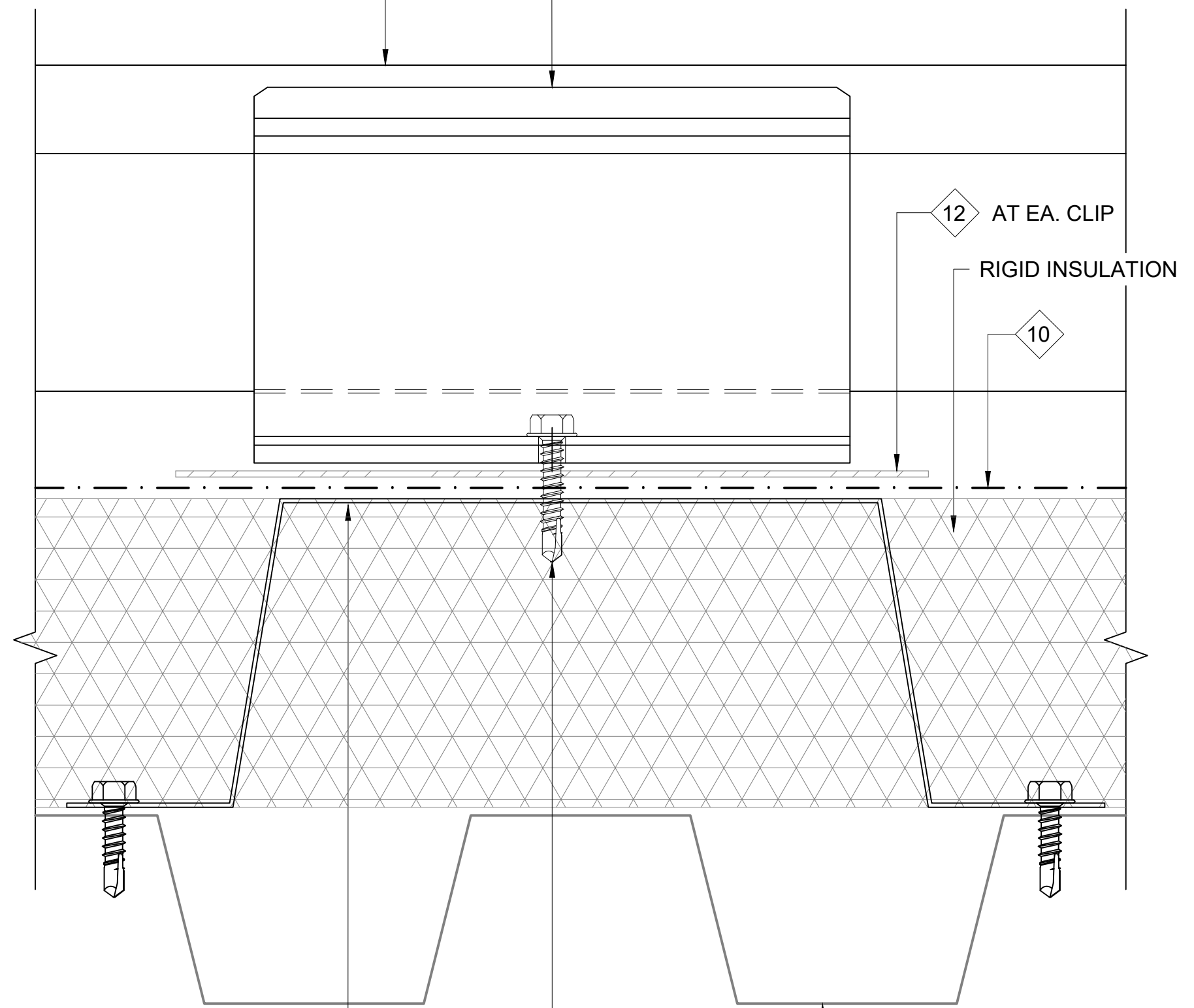
NOTES:
 1. ALL FASTENERS MUST PENETRATE 3/4" MIN. THROUGH SUBSTRATE.



STAGGER HALTER CLIP ATTACHMENT FASTENER LOCATION AS SHOWN

(PER PROJECT CALCS.) 1

BEMO ROOF PANEL SYSTEM



12 AT EA. CLIP

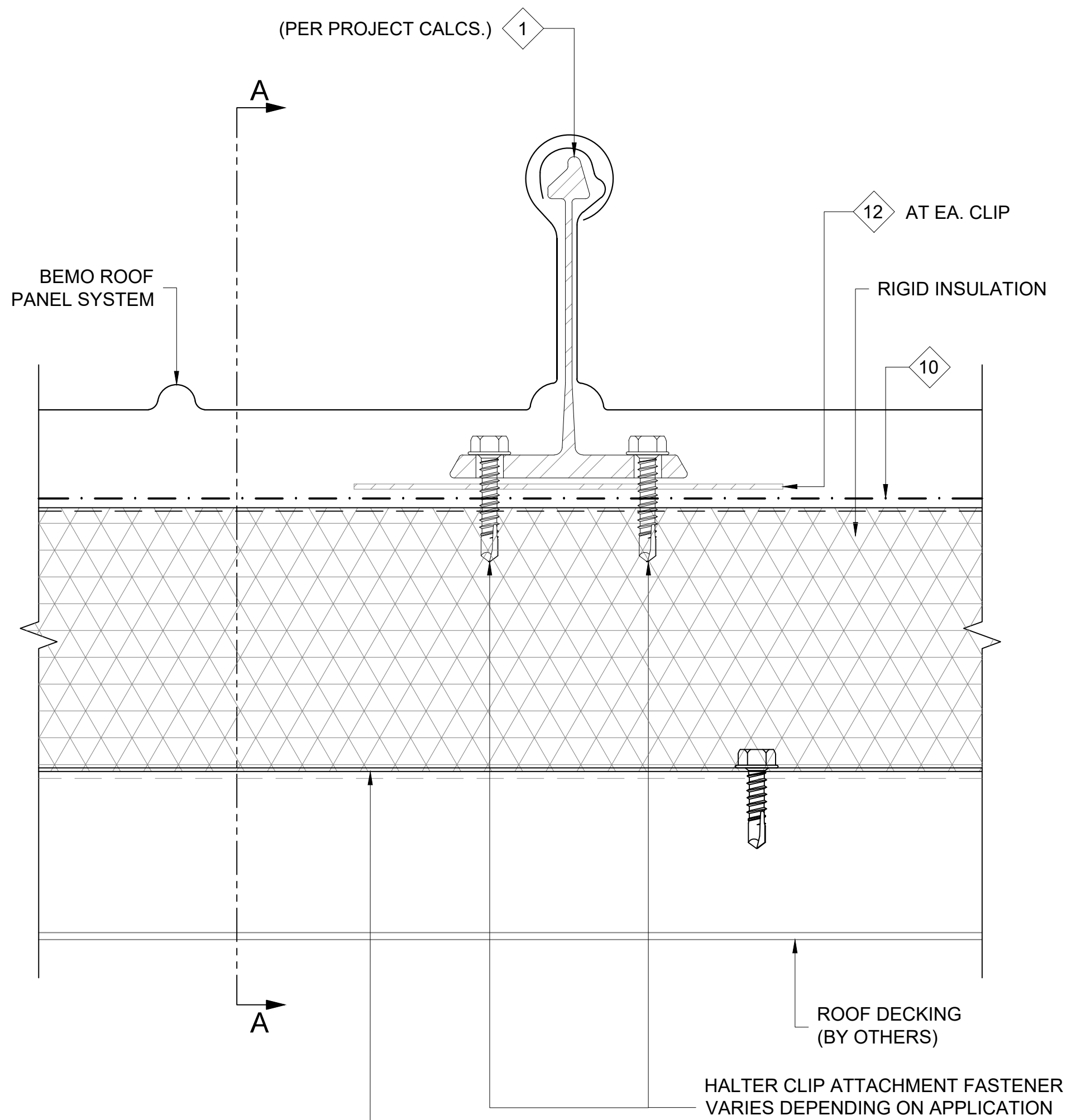
10

ROOF DECKING (BY OTHERS)

HALTER CLIP ATTACHMENT FASTENER VARIES DEPENDING ON APPLICATION AND SUBSTRATE

MIN. 16GA. GALV. CONTINUOUS HATGIRT REQUIRED AT FIXED POINT(S); CONSULT MFR. FOR JOB SPECIFIC REQUIREMENTS

SECTION A-A



(PER PROJECT CALCS.) 1

BEMO ROOF PANEL SYSTEM

12 AT EA. CLIP

RIGID INSULATION

10

ROOF DECKING (BY OTHERS)

HALTER CLIP ATTACHMENT FASTENER VARIES DEPENDING ON APPLICATION AND SUBSTRATE

MIN. 16GA. GALV. CONTINUOUS HATGIRT REQUIRED AT FIXED POINT(S); CONSULT MFR. FOR JOB SPECIFIC REQUIREMENTS

1 BEMO PANEL 'SLIDING' DETAIL; HALTER CLIP
 D1 REF. ARCH. DET.

THIS DETAIL IS GENERAL IN NATURE AND WILL BE MODIFIED TO MEET JOB SPECIFIC CONDITIONS

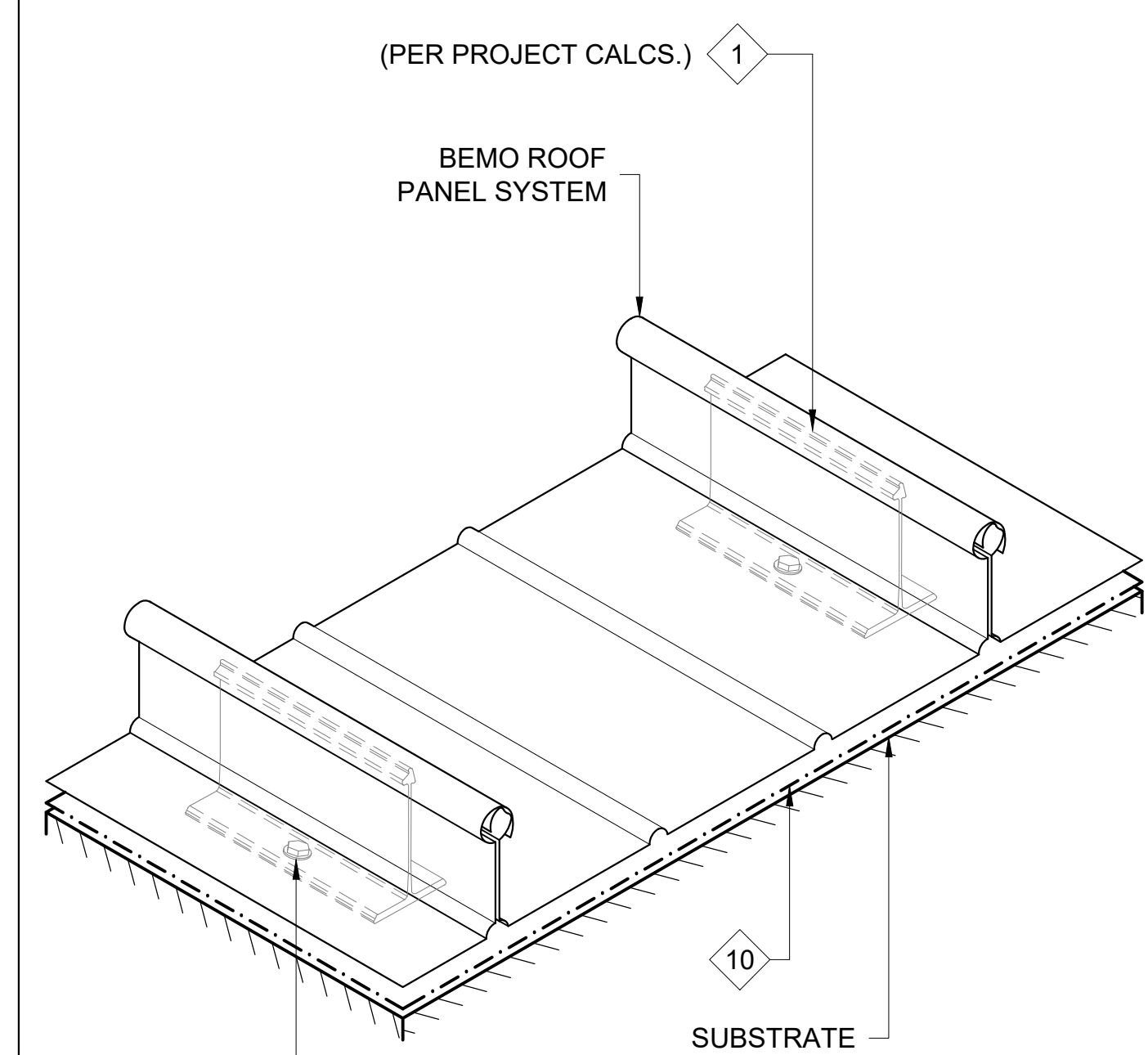
FASTENER DESIGNATIONS

MARK	DESCRIPTION	IMAGE
1	#14-10 x 7" DEKFAST SCREW (OR COMPARABLE)	
2	#14-10 x 2" DEKFAST SCREW (OR COMPARABLE)	
3	1/4"-14x 1 1/2" HWH TEK-3 (W/ BONDED WASHER)	
4	1/4"-20x 3/4" STAINLESS STEEL BOLT ASSEMBLY	
5	1/4"-14x 7/8" HWH TEK-1 (W/ BONDED WASHER)	
6	#10x 3/4" PANCAKE HEAD SCREW	
7	1/4"Ø BULB-TITE RIVET (W/ BONDED WASHER)	
8	3/16"Ø CLOSED END S.S. RIVET	
9	#14-10x 1" SELF-TAPPING (W/ BONDED WASHER)	
10	1/4"-14x 1" TEK-3 STAINLESS STEEL SCREW*	
11	#12-14x 1 1/2" TEK-3 STAINLESS STEEL SCREW*	
12	1/4"-14x 3" PANCAKE HEAD 316SS TYPE "B" FASTENER	

* (1000 HRS OF CORROSION RESISTANT COATING IN ACCORDANCE WITH ASTM B117)

MATERIAL DESIGNATIONS

MARK	DESCRIPTION
1	BEMO HOOK CLIP W/ GALV. BASE
2	BEMO FIXED HOOK CLIP
3	BEMO GABLE HALTER CLIP (30" O.C. MAX.)
4	BEMO METAL/FOAM PROFILE CLOSURE
5	KEYHOLE CLOSURE
6	EXPANDING FOAM TAPE (18 L.F. ROLLS)
7	"GRIP-STRUT" WALKWAY PLANK, 11 7/8" W x 12'-0" LG (2 PLANK WALKWAY)
8	BEMO 300-H OR 300-V STAINLESS STEEL UTILITY CLAMP
9	1/8"x 1" WIDE SEALING TAPE (65 L.F. ROLLS) - (BY OTHERS)
10	BEMO "40 MIL HT MEMBRANE" (3'x 65' ROLLS)
11	"APPROVED" SEALANT (15 L.F. COVERAGE - TUBES) - (BY OTHERS)
12	4"x 6" BEARING PLATE (AT EACH CLIP)



(PER PROJECT CALCS.) 1

BEMO ROOF PANEL SYSTEM

10

SUBSTRATE

HALTER CLIP ATTACHMENT FASTENER VARIES DEPENDING ON APPLICATION AND SUBSTRATE

ISOMETRIC VIEW

[NOTE: ISOMETRIC VIEW IS FOR VISUALIZATION ONLY - OBJECTS NOT TO SCALE]



BEMO STANDARD DETAILS
 PANEL 'SLIDING' DETAIL (HALTER CLIP AT INSULATED ROOF)

PROJECT ADDRESS

CUSTOMER NAME

ARCHITECT NAME

DRAWN:	D. GOSS	1/25/21
CHECKED:		
PROJECT NUMBER:		
NO.	REVISION / ISSUE	DATE

DWG TITLE
 BEMO STANDARD DETAIL

SCALE 1' = 1'-0"	DWG NO. D1
---------------------	---------------