

THIS DETAIL IS GENERAL IN NATURE AND WILL BE MODIFIED TO MEET JOB SPECIFIC CONDITIONS

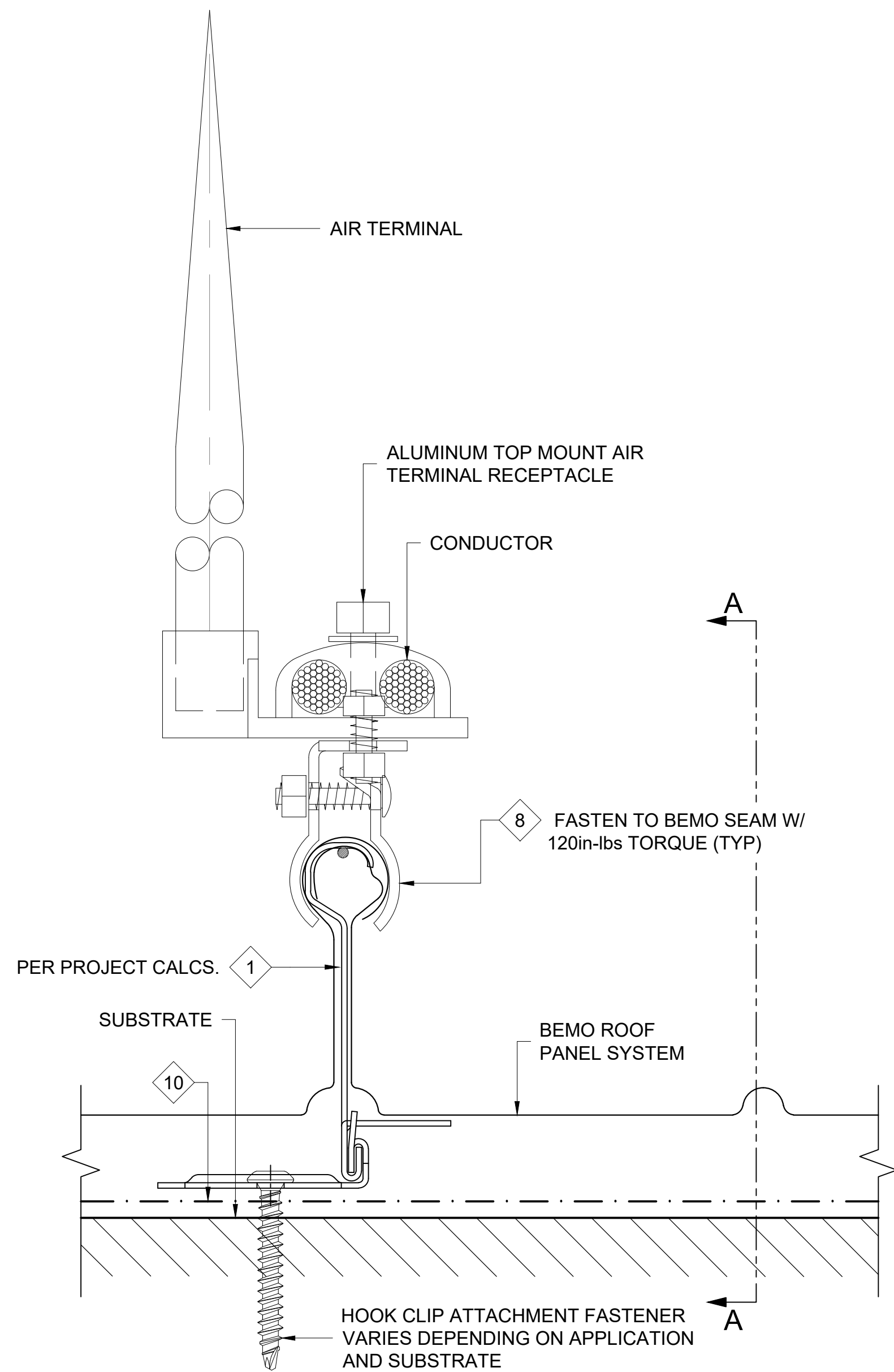
FASTENER DESIGNATIONS

MARK	DESCRIPTION	IMAGE
①	#14-10 x 7" DEKFAST SCREW (OR COMPARABLE)	
②	#14-10 x 2" DEKFAST SCREW (OR COMPARABLE)	
③	1/4"-14x 1 1/2" HWH TEK-3 (W/ BONDED WASHER)	
④	1/4"-20x 3/4" STAINLESS STEEL BOLT ASSEMBLY	
⑤	1/4"-14x 7/8" HWH TEK-1 (W/ BONDED WASHER)	
⑥	#10x 3/4" PANCAKE HEAD SCREW	
⑦	1/4"Ø BULB-TITE RIVET (W/ BONDED WASHER)	
⑧	3/16"Ø CLOSED END S.S. RIVET	
⑨	#14-10x 1" SELF-TAPPING (W/ BONDED WASHER)	
⑩	1/4"-14x 1" TEK-3 STAINLESS STEEL SCREW*	
⑪	#12-14x 1 1/2" TEK-3 STAINLESS STEEL SCREW*	
⑫	1/4"-14x 3" PANCAKE HEAD 316SS TYPE "B" FASTENER	

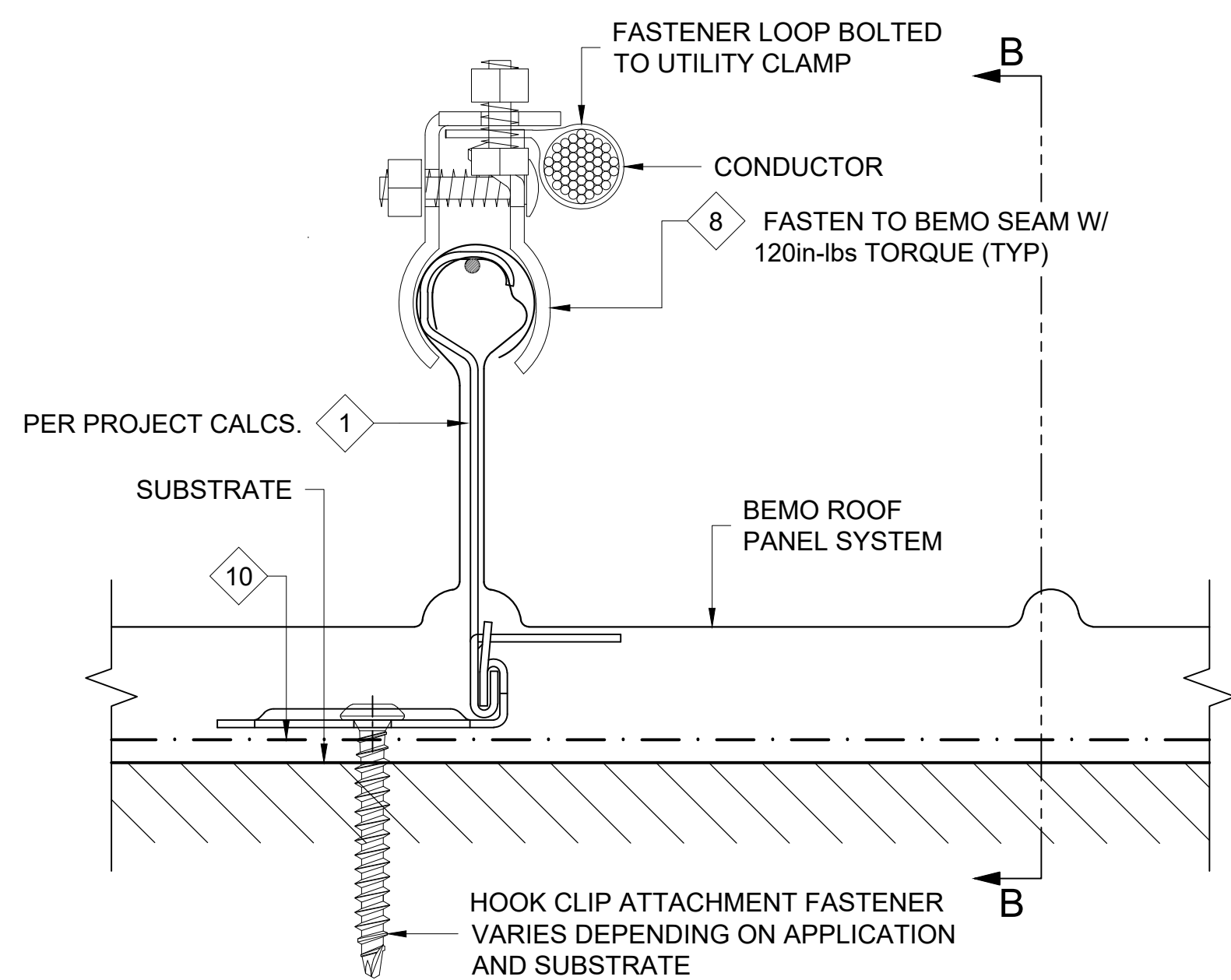
* (1000 HRS OF CORROSION RESISTANT COATING IN ACCORDANCE WITH ASTM B117)

MATERIAL DESIGNATIONS

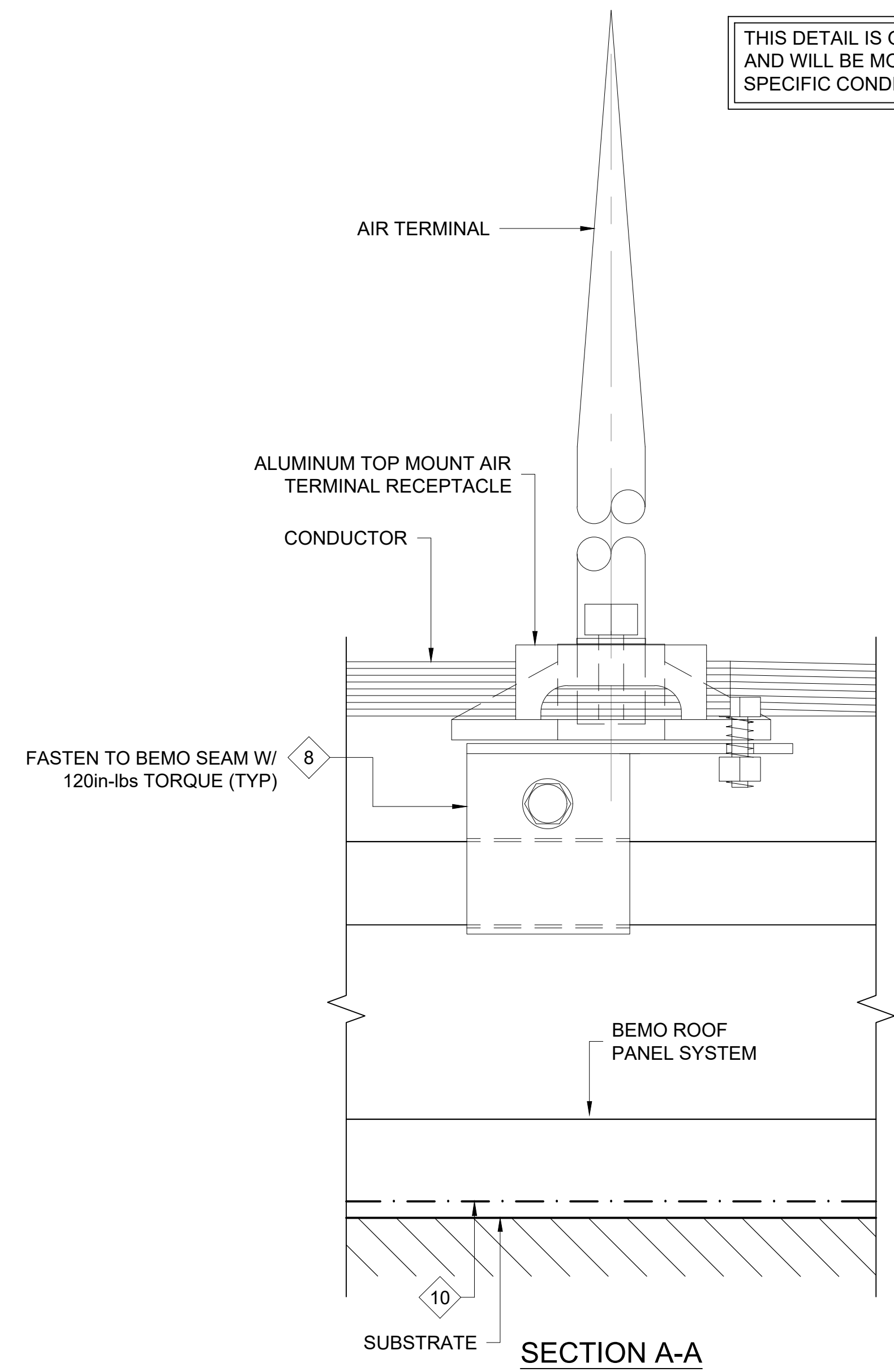
MARK	DESCRIPTION
①	BEMO HOOK CLIP W/ GALV. BASE
②	BEMO FIXED HOOK CLIP
③	BEMO GABLE HALTER CLIP (30" O.C. MAX.)
④	BEMO METAL/FOAM PROFILE CLOSURE
⑤	KEYHOLE CLOSURE
⑥	EXPANDING FOAM TAPE (18 L.F. ROLLS)
⑦	"GRIP-STRUT" WALKWAY PLANK, 11 7/8" W x 12'-0" LG (2 PLANK WALKWAY)
⑧	BEMO 300-H OR 300-V STAINLESS STEEL UTILITY CLAMP
⑨	1/8"x 1" WIDE SEALING TAPE (65 L.F. ROLLS) - (BY OTHERS)
⑩	BEMO "40 MIL HT MEMBRANE" (3'x 65' ROLLS)
⑪	"APPROVED" SEALANT (15 L.F. COVERAGE - TUBES) - (BY OTHERS)
⑫	4"x 6" BEARING PLATE (AT EACH CLIP)



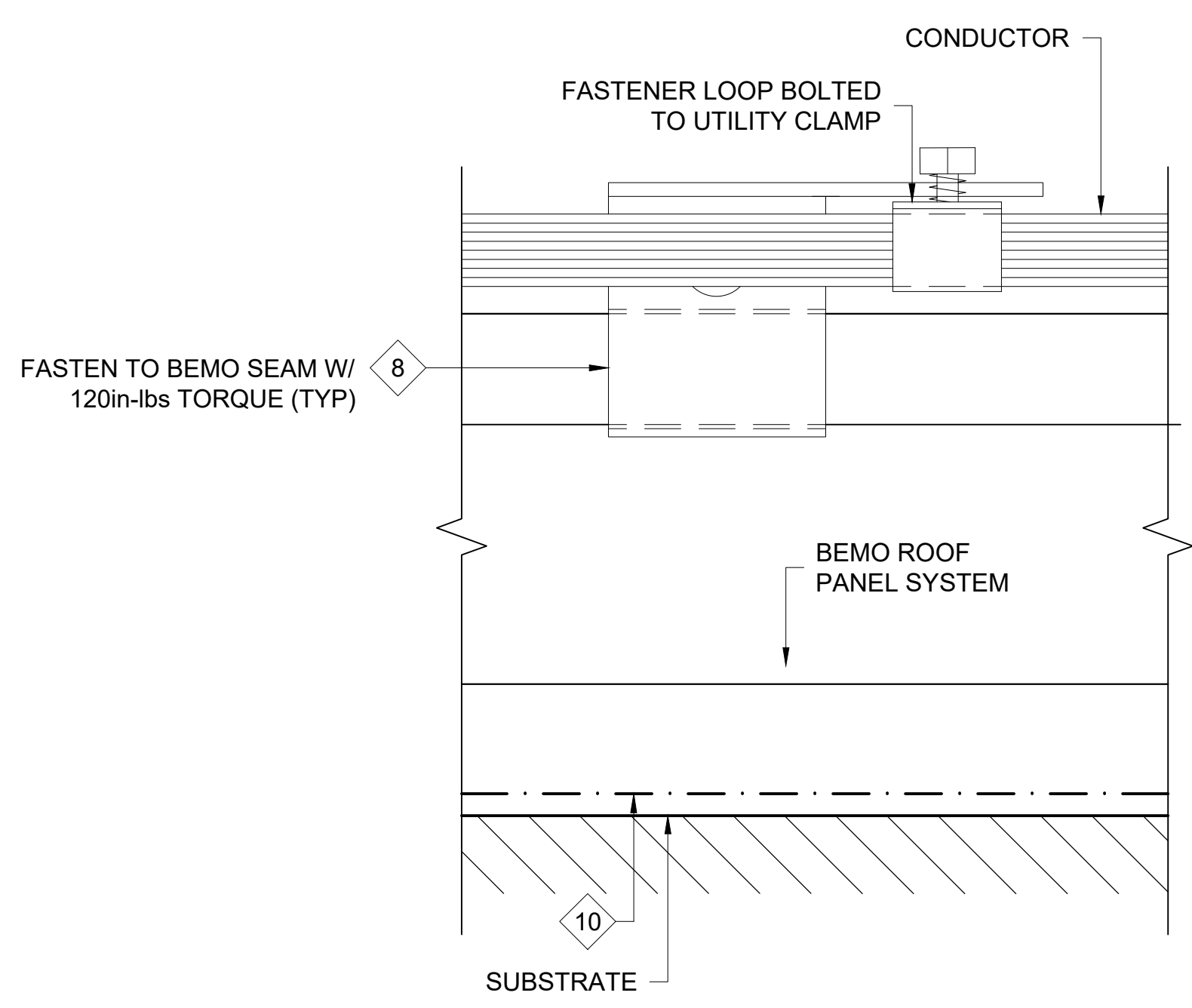
1 LIGHTNING PROTECTION ATTACHMENT DETAIL
D1 REF. ARCH. DET. -



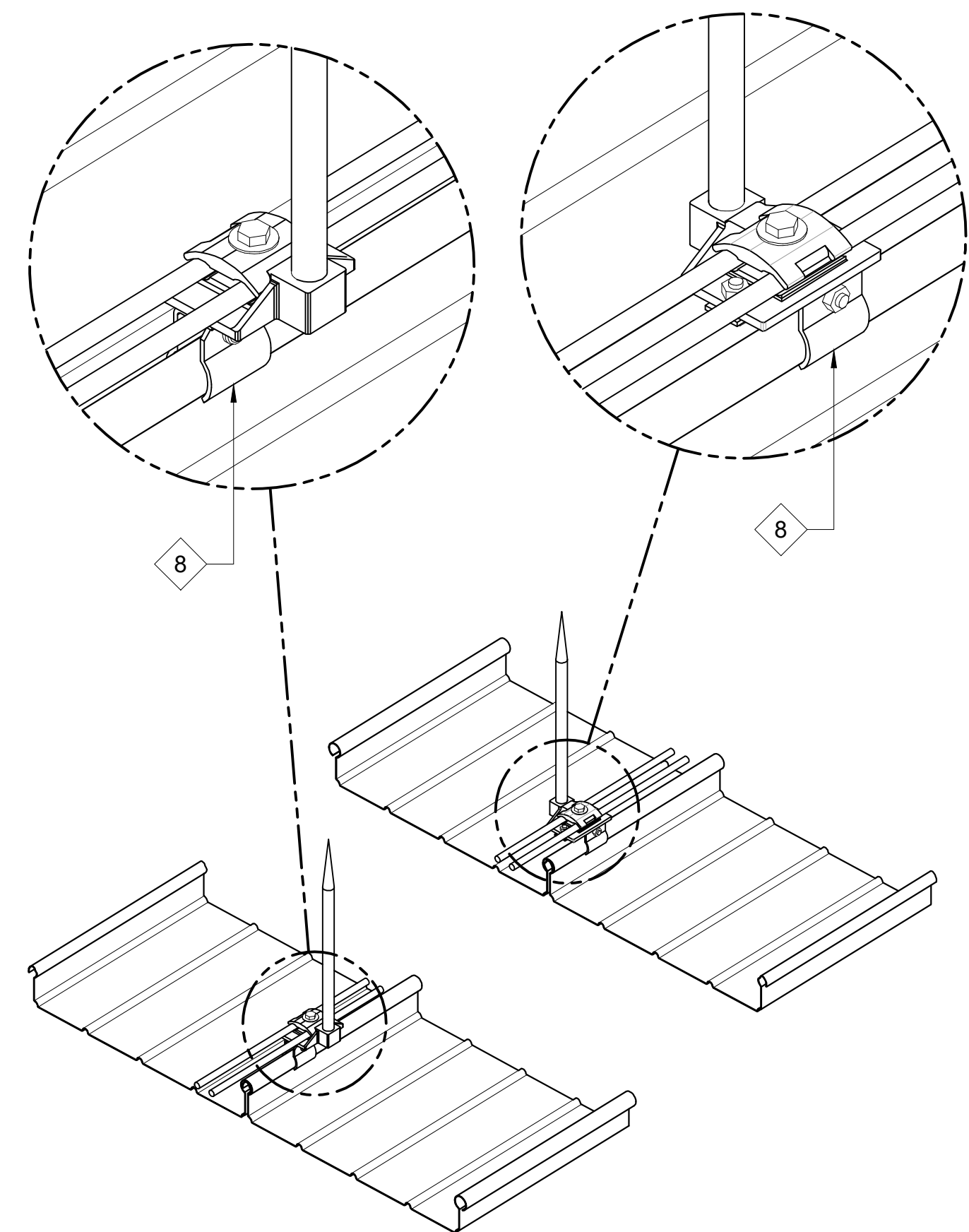
2 LIGHTNING PROTECTION CABLING CONNECTION DETAIL
D1 REF. ARCH. DET. -



SECTION A-A



SECTION B-B



ISOMETRIC VIEW

[NOTE: ISOMETRIC VIEW IS FOR VISUALIZATION ONLY - OBJECTS NOT TO SCALE]



BEMO STANDARD DETAILS
LIGHTNING PROTECTION DETAIL

PROJECT ADDRESS

CUSTOMER NAME

ARCHITECT NAME

DRAWN:	D. GOSS	1/25/21
CHECKED:		
PROJECT NUMBER:		
NO.	REVISION / ISSUE	DATE

DWG TITLE
BEMO STANDARD DETAIL

SCALE 1' = 1'-0"	DWG NO. D1
---------------------	----------------------